



ELEVATED DESIGN & EXPERIENCE

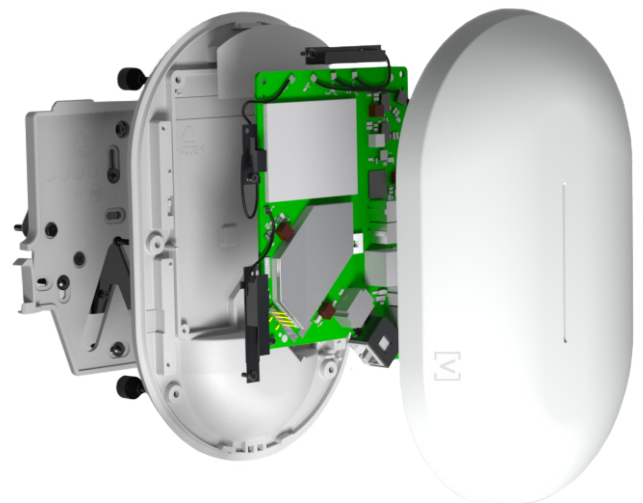
The Alta Labs AP6 Access Point features a compact form factor and a sleek aesthetic design allowing seamless integration into corporate, commercial, and residential environments. The AP is powered over Ethernet for simple, clean installation. Versatile mounting hardware is included featuring our proprietary QuickMount™ technology for quick, simple mounting.

FEATURES

- Superior Range and Performance
- Scalable Cloud-Based Management
- Mobile App
- High Performance WiFi 6
- Multi-Password Authentication
- DPI Engine
- Hotspot Functionality
- On-The-Fly Changes and Scanning
- Wireless Network Color Coding
- SSID Broadcasting Flexibility
- Customizable Dashboard
- Status Snapshots
- Device Cards

Superior Range and Performance

Our proprietary antenna design provides superior range and performance. Engineered by a team with extensive WiFi design expertise, the AP6 provides seamless roaming and advanced traffic management to ensure a superior WiFi experience.



Scalable Cloud-Based Management

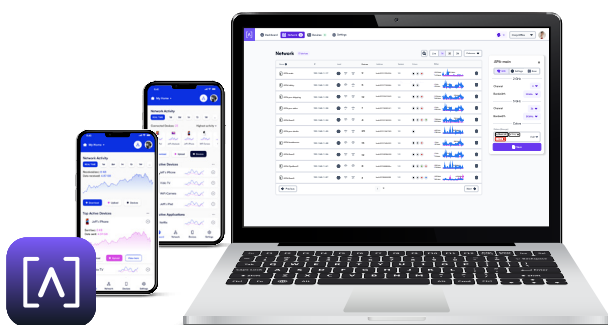
Alta Labs provides an intuitive and easy-to-use cloud-based management interface for Alta Labs access points and switches. Designed for optimum scalability using a high-availability architecture for the ultimate in convenience and worldwide accessibility. Built on a worldwide content delivery network to optimize response and latency, our global cloud infrastructure ensures geographically optimized connectivity through our redundant network.

Deploy and manage multiple sites quickly and easily. Add, delete, or rename sites instantly. Toggle between sites from a site selection drop-down. Each site contains its own data set.



Mobile App

Monitor and manage your networks from the convenience of your mobile device. The management interface is easily accessible via mobile app or web browser. Sign up for an Alta Labs account using just your name, email, and password or use Google Authentication.



High Performance WiFi 6

Built on Qualcomm's dual-band, 4-stream WiFi 6 networking platform, the AP6 delivers optimal 2.4 GHz and 5 GHz WiFi 6 performance.

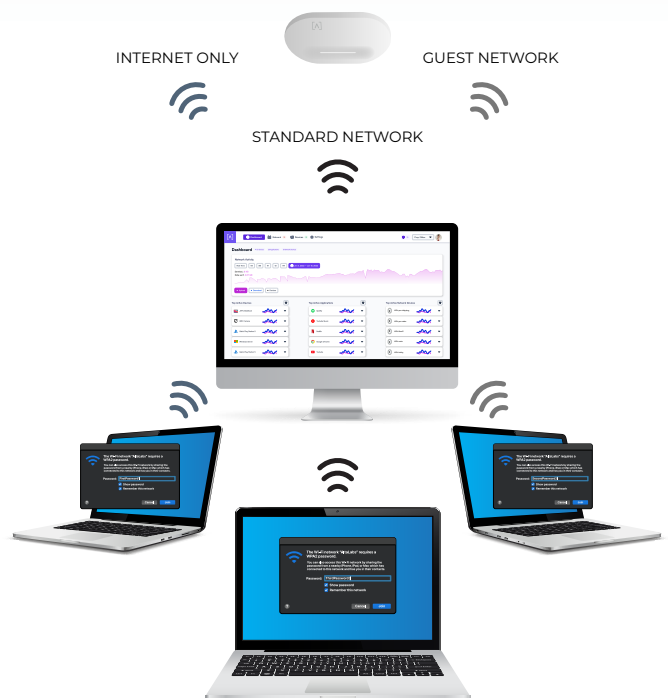


Multi-Password Authentication

Use different WiFi passwords to separate network traffic and manage connectivity.

- **Standard** Network with less than 100 WiFi clients
- **Large** Optimized for hundreds to thousands of WiFi clients
- **IoT** Restricted to Internet and local incoming connections only
- **Internet** Restricted to Internet only
- **Guest** Restricted to Internet and IoT devices

A password can also be associated with a specific upload or download rate, a VLAN, or to bypass schedule or hotspot functionality.



DPI Engine

Advanced filtering allows you to block content by application, selectable from an extensive predefined list. You can also enter domain names for domain blocking.



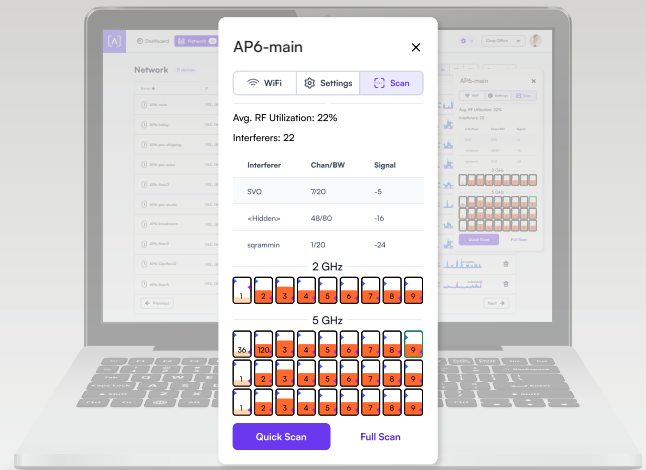
Hotspot Functionality

Built-in functionality to create your own local hotspot with a logo, title page, terms of service, and a final landing page. You also have the option to redirect to an external URL.



On-The-Fly Changes and Scanning

- Configuration changes do not require a reboot of your network. Changes can be made without taking your network down.
- Scan your AP environment without disrupting your WiFi network.



Wireless Network Color Coding

Patent pending functionality that allows you to assign groups to wireless SSIDs and then assign membership to wireless access points.

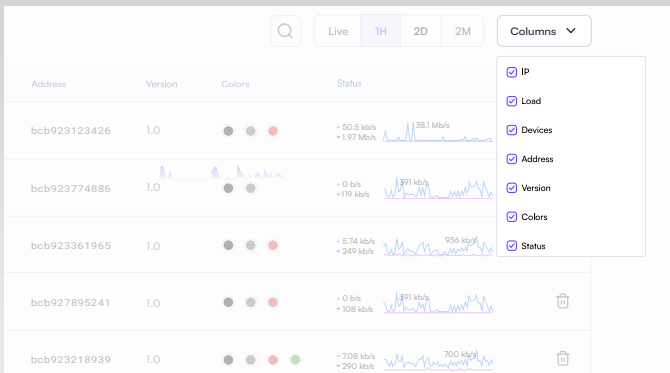
| Address | Version | Colors | Status |
|--------------|---------|--------|---|
| bcb923123426 | 1.0 | ● ● ● | - 50.5 kbps - 1.97 Mbps 38.3 Mbps |
| bcb923774886 | 1.0 | ● ● ● | - 0 kbps - 119 kbps 391 kbps |
| bcb923361965 | 1.0 | ● ● ● | - 5.74 kbps - 249 kbps 926 kbps |
| bcb927895241 | 1.0 | ● ● ● | - 0 kbps - 108 kbps 391 kbps |
| bcb923218939 | 1.0 | ● ● ● | - 708 kbps - 290 kbps 700 kbps |

SSID Broadcasting Flexibility

In addition to standard functionality such as hiding your SSID, you can continue broadcasting your SSID during a “scheduled off” event. This provides network admins with the ability to grant users additional time on the network. A user can request access via a captive portal displayed when they try to access the network.

Customizable Dashboard

Customize your dashboard with the information you want to see: IP address, Load, number of devices, MAC address, firmware version, wireless network color assignment, and real-time status details. Details are sortable by column.

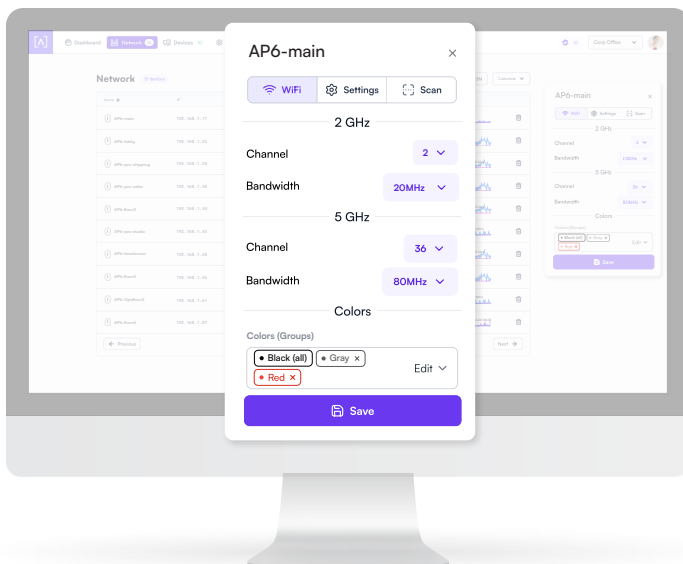


Status Snapshots

View upload and download throughput with a visual timeline on the dashboard for each AP displayed along with the number of connected devices, average processor load, channel load, and average connected devices. Select a snapshot of the last minute, last hour, last two days, or last two months.

Device Cards

Easily view connection details and configure your access points or client connections by clicking the device icon.

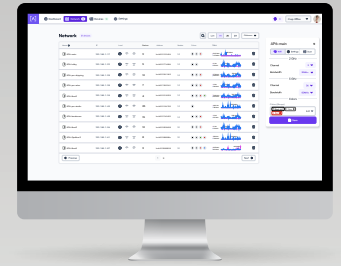


SPECIFICATIONS

| MECHANICAL | |
|-------------------------|--|
| Dimensions | 190 x 125 x 32 mm (7.5 x 4.9 x 1.25") |
| Weight | 0.4 kg (0.9 lbs) |
| Enclosure Material | Top Cover: Polycarbonate, Bottom Cover: Milled Aluminum |
| Mount Material | Ceiling/Wall: Polycarbonate, Drop Ceiling: Steel |
| HARDWARE | |
| Network Interface | Ethernet, WiFi, Bluetooth |
| Management Interface | (1) GbE RJ45 Port |
| Button(s) | Reset/Factory Reset |
| LED | Blue, White |
| Power Method | PoE+ |
| Power Supply | PoE+ Enabled Network Switch or 48V, 0.5A PoE Adapter (Optional) |
| Supported Voltage Range | 42.5-57V DC |
| Max. Power Consumption | 20W |
| Max. Transmit Power | 2.4 GHz: 23 dBm @2NSS, 5 GHz: 23 dBm @2NSS |
| MIMO | 5 GHz: 2 x 2, DL MU-MIMO, DL/UL MU-OFDMA 2.4 GHz: 2 x 2, DL/UL MU-OFDMA Explicit TX beam-forming |
| Throughput Rate | 2.4 GHz: Up to 573 Mbps, 5 GHz: Up to 2.4 Gbps |
| Antenna Gain | 2.4 GHz: Up to 4.0 dBi, 5 GHz: Up to 4.1 dBi |
| Mounting | Wall, ceiling, drop-ceiling, table top |
| Operating Temperature | -30 to 60° C (-22 to 140° F) |
| Operating Humidity | 5 to 95% Noncondensing |
| Certifications | CE, FCC, IC (Visit Alta.inc for a full list of certifications) |



| SOFTWARE | |
|------------------------------|---|
| WiFi Standards | 801.11a/b/g/n/ac/ax (WiFi4/WiFi5/WiFi6) |
| Roaming | 802.11r/k/v |
| Wireless Security | WPA-PSK, WPA-Enterprise (WPA2/WPA3) |
| Multi-BSSID | Supported |
| VLAN | 802.1Q |
| Advanced QoS | 802.11e |
| Guest Traffic Isolation | Supported |
| Concurrent Clients | 300+ |
| Zero Wait DFS | Yes |
| Intelligent WiFi Scheduling | Yes |
| Hotspot Functionality | Yes |
| Scalable | Yes |
| Seamless Per-Client Settings | VLAN, Device Type, Rate Limit, Hotspot/Schedule Exception |

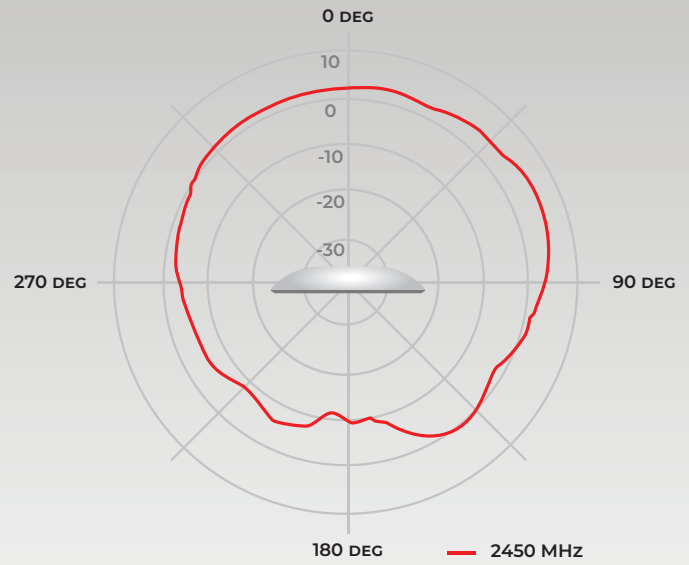
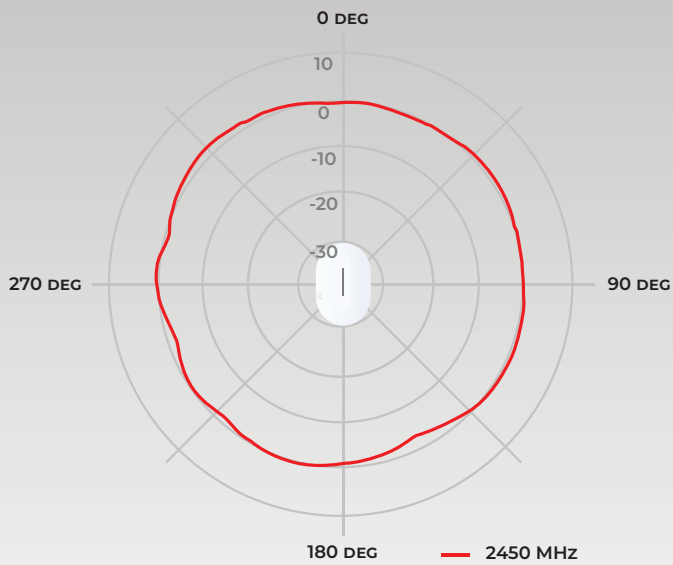


| SUPPORTED DATA RATES | |
|----------------------|---|
| 802.11a/g | 6 Mbps to 54 Mbps |
| 802.11b | 1 Mbps to 11 Mbps |
| 802.11n | 6.5 Mbps to 300 Mbps (Up to MCS 15) |
| 802.11ac | 6.5 Mbps to 1.9 Gbps (Up to MCS 9) |
| 802.11ax | 2.4 GHz: Up to 573 Mbps, 5 GHz: 6.5 Mbps to 2.4 Gbps (Up to MCS 11) |

FEATURE COMPARISON

| Features | AP6 | AP6 PROFESSIONAL |
|-------------------------------|----------|------------------|
| WiFi 6 | ✓ | ✓ |
| Bluetooth (For Easy Adoption) | ✓ | ✓ |
| Content Filtering | ✓ | ✓ |
| PoE+ | ✓ | ✓ |
| 2.4 GHz MIMO | 2 x 2 | 2 x 2 |
| 5 GHz MIMO | 2 x 2 | 4 x 4 |
| Max WiFi Throughput | 3.0 Gbps | 6.3 Gbps |
| 4096 QAM | - | ✓ |
| IP54 RATED | - | ✓ |

2.4 GHz



5 GHz

